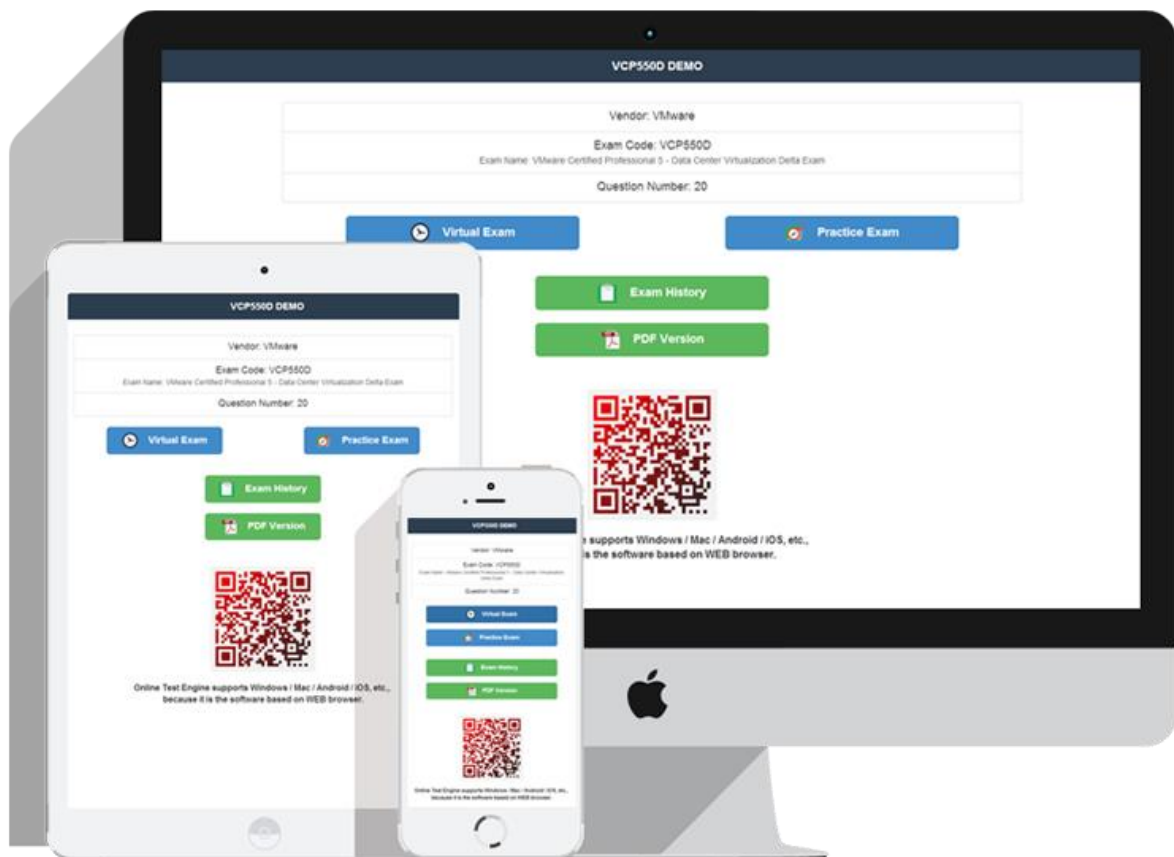


PracticeTorrent



<http://www.practicetorrent.com>

Latest study torrent with verified answers will facilitate your actual test

Exam : **200-155**

Title : **Introducing Cisco Data Center Technologies**

Vendor : **Cisco**

Version : **DEMO**

NO.1 Which statement about EPGs is true?

- A. EPGs neither provide or consume contracts
- B. EPGs can provide, but cannot consume, a contract
- C. EPGs can both provide and consume a contract.
- D. EPGs can consume, but cannot provide, a contract

Answer: B

Explanation

Contracts define inbound and outbound permit, deny, and QoS rules and policies such as redirect. Contracts allow both simple and complex definition of the way that an EPG communicates with other EPGs, depending on the requirements of the environment. Although contracts are enforced between EPGs, they are connected to EPGs using provider-consumer relationships. Essentially, one EPG provides a contract, and other EPGs consume that contract.

Reference:

http://www.cisco.com/en/US/prod/collateral/netmgtsw/ps13004/ps13460/white-paper-c11-729906_ns1261_Netw

NO.2 Refer to the exhibit.

Properties

Name : vHBA1

Description :

Owner : Local

Fabric ID :

Redundancy

Redundancy Type : No Redundancy Primary Template Secondary Template

Peer Redundancy Template: [Create vHBA Template](#)

VSAN : 100

Target : Adapter

Template Type :

Max Data Field Size :

Policies

WWPN Pool :

QoS Policy :

Pin Group :

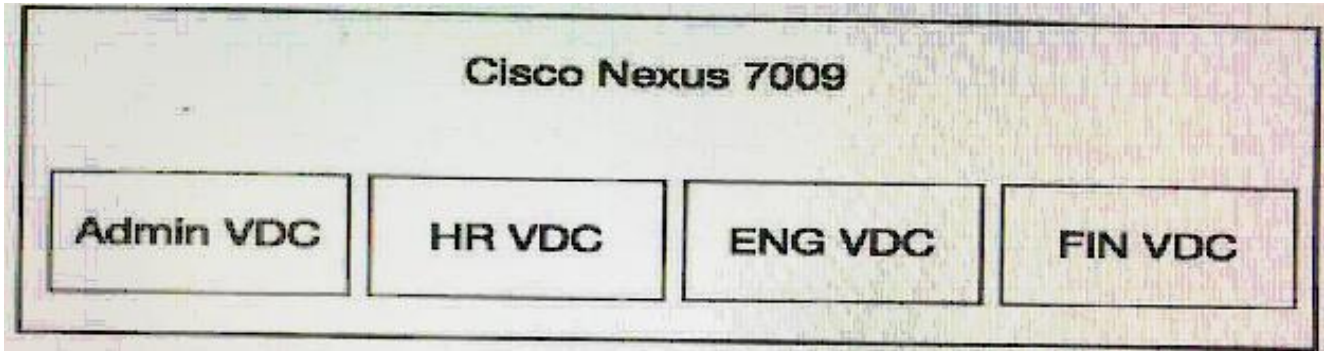
Stats Threshold Policy:

Which benefit of a vHBA template pair is true?

- A. allows the use of fewer IP addresses in the WWPN pool
- B. requires that you configure vHBA pairs independently
- C. provides redundancy by linking to another template that uses fabric B
- D. enables you to group vHBAs that share attributes

Answer: C

NO.3 Refer to the exhibit.



Refer to the exhibit. How many STP domains are present?

- A. 4
- B. 1
- C. 3
- D. 2

Answer: C

NO.4 Which two networking technologies can be used on a Cisco UCS Fabric Interconnect to transmit data?

(Choose two.)

- A. Ethernet
- B. Token Ring
- C. Point-to-Point Protocol
- D. Frame Relay
- E. Fibre Channel

Answer: A,E

NO.5 Which description of the value of an API is true?

- A. provides the software used by developers to program applications
- B. controls specific cloud resources and their distribution
- C. helps developers by simplifying the integration of applications
- D. defines the code used to program an application

Answer: D

NO.6 To uniquely define server instances in the Cisco UCS system, what do you configure?

- A. service profile
- B. UUID resource pool
- C. vNIC template

D. vMotion

Answer: A

NO.7 What is the primary benefit of Cisco Global Load Balancing Solution?

A. encrypts data communication

B. implements business continuity and disaster recovery by optimizing the DNS infrastructure

C. adds resiliency to the core layer of a data center

D. accelerates content delivery through a designated content cache engine

Answer: B

NO.8 An engineer the UCS Fabric interconnects for network connectivity to the data center LAN and SAN. Which two ports types need to be configured to allow traffic to flow properly? (Choose two)

A. Fibre Channel storage

B. Fibre Channel uplink

C. server uplink

D. appliance

E. Ethernet uplink

Answer: B,E

Explanation

Cisco UCS Fabric Interconnects provide these port types:

Server Ports-Server Ports handle data traffic between the Fabric Interconnect and the adapter cards on the servers.

You can only configure Server Ports on the fixed port module. Expansion modules do not support Server Ports.

Uplink Ethernet Ports-Uplink Ethernet Ports connect to external LAN Switches. Network bound Ethernet traffic is pinned to one of these ports.

You can configure Uplink Ethernet Ports on either the fixed module or an expansion module.

Uplink Fibre Channel Ports-Uplink Fibre Channel Ports connect to external SAN Switches. Network bound Fibre Channel traffic is pinned to one of these ports.

Reference:

<http://www.cisco.com/c/en/us/support/docs/servers-unified-computing/ucs-6120xp-20-port-fabric-interconnect/1>

NO.9

```
Nexus-7K1# config terminal
Enter configuration commands, one per line. End with CNTL/Z.
Nexus-7K1(config)# vdc Nexus-7K1-VDC2
Note: Creating VDC, one moment please ...
Nexus-7K1(config-vdc)# allocate interface e4/1-12
Moving ports will cause all config associated to them in source vdc to be
removed. Are you sure you want to move the ports (y/n)? [yes] yes
```

Refer to the exhibit. A network engineer allocates 12 physical ports to a new VDC. Which command is used to verify VDC port allocation on a Cisco Nexus switch?

A. show vdc membership

- B. show vdc port-allocation
- C. show vdc port-membership
- D. show vdc allocation

Answer: A

NO.10 Which description of Management Plane Protection is true?

- A. It allows all of the interfaces to carry management packets
- B. It restricts the interfaces on which network management packets enter a device
- C. It allows management packet floods to reach the CPU.
- D. It supports all of the administrative management protocols

Answer: B

NO.11 Which two benefits of a vPC are true? (Choose two)

- A. It uses MSTP to eliminate Layer 2 loops.
- B. It uses IS-IS in the control plane.
- C. it eliminates STP blocked .ports.
- D. It allows active-active links.
- E. It simplifies Layer 3 routing configuration.

Answer: C,D

NO.12 Which two Cisco Nexus 1000V Series Switch features exceed the functionality of the VMware vNetwork Distributed Switch? (Choose two)

- A. DV Port Groups
- B. Network vMotion
- C. access control lists
- D. QoS marking
- E. port state migration

Answer: C,D

NO.13 Which option accurately describes the utility of a service offering in Cisco UCS Director?

- A. selects resources based on the application requirements
- B. describes the application requirements
- C. describes the capabilities of a hardware component
- D. describes the infrastructure that is required for the deployment of an application

Answer: A

NO.14 Refer to the exhibit.

```
!!!! Configuration form Switch A
vpc domain 1
  role priority 100
  peer-keepalive destination 172.16.31.35
source 172.16.31.34
  delay restore 150
peer-gateway
fabricpath switch-id 200
ip arp synchronize
```

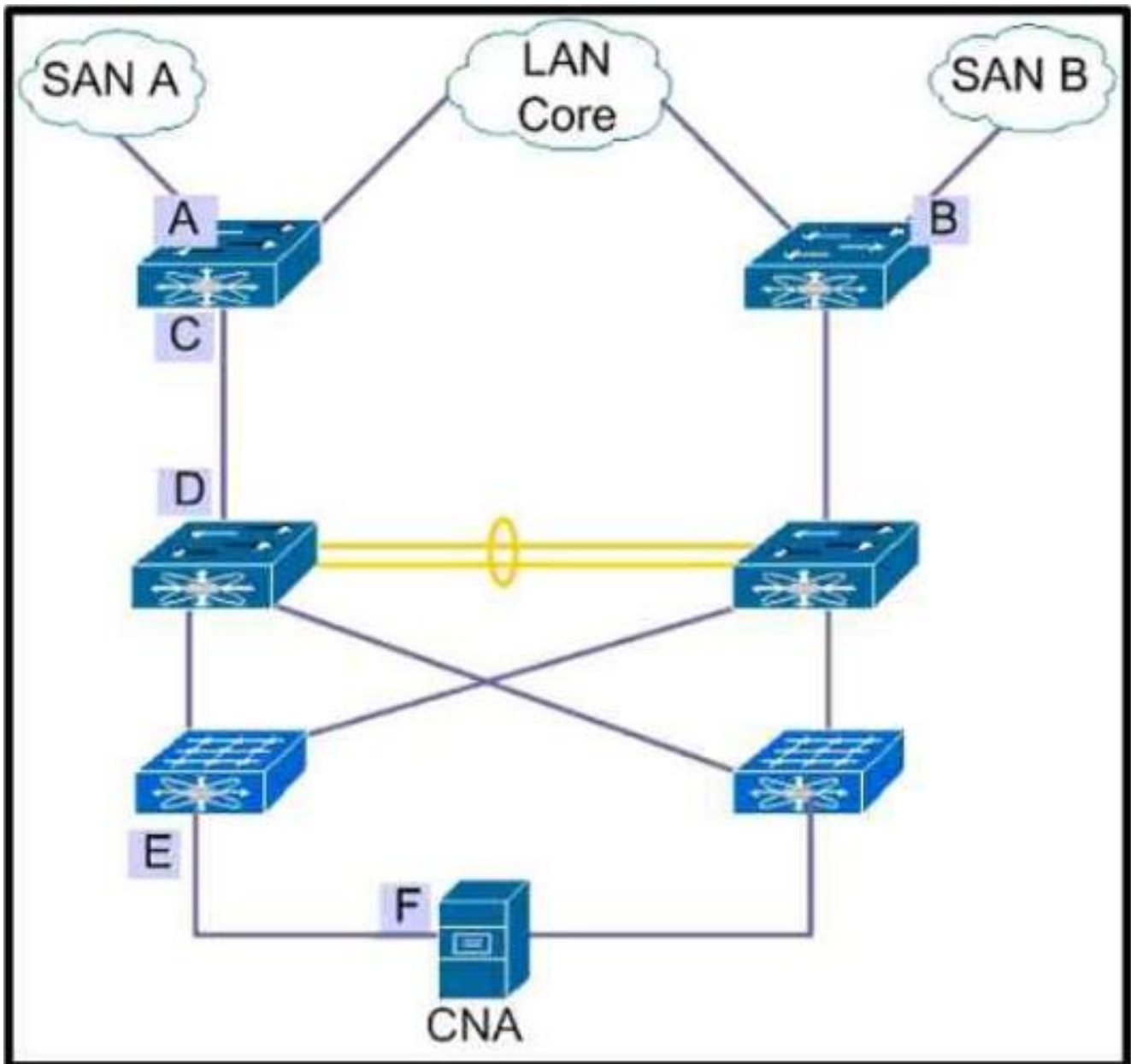
```
!!!! Configuration form Switch B
vpc domain 2
  role priority 100
  peer-keepalive destination 172.16.31.34
source 172.16.31.35
  delay restore 150
peer-gateway
fabricpath switch-id 200
ip arp synchronize
```

Which option do you configure to correct the vPC configuration between two peer switches?

- A. unique fabricpath switch-id
- B. unique role priority value
- C. identical peer-keepalive IP addresses
- D. identical domain IDs

Answer: D

NO.15 Refer to the exhibit.



Which two ports are VE ports in this FCoE topology? (Choose two)

- A. Option
- B. Option
- C. Option
- D. Option
- E. Option
- F. Option

Answer: E,F

NO.16 Which ports on the Cisco UCS 6120XP Fabric Interconnects can operate at either 1 Gb/s or 10 Gb/s?

- A. Ports 1-4
- B. None
- C. Ports 17-20

D. Ports 1-8

E. Ports 1-6

Answer: D

NO.17 Which adapters for Cisco UCS B-Series blade servers and C-Series rack servers allow configuration of virtual interfaces? (Choose four.)

A. P61E

B. VIC-1240

C. M71-KR

D. P71E

E. M81-KR

F. P81E

G. VIC-1280

Answer: B,E,F,G

NO.18 Which physical connection rule must you follow when the Cisco ACI fabric is wired?

A. A spine can connect to the access port of a leaf

B. A leaf can connect to a leaf

C. A spine can connect to a leaf

D. A spine can connect to a spine.

Answer: C

NO.19 Which two Cisco ACI components are included in an Application Network Profile?

A. Contracts

B. clients

C. EPGs

D. tenants

E. contexts

Answer: A,C

NO.20 Which three are components of the Cisco Unified Computing System 2104 I/O Module? (Choose three.)

A. finite state machine

B. chassis management controller

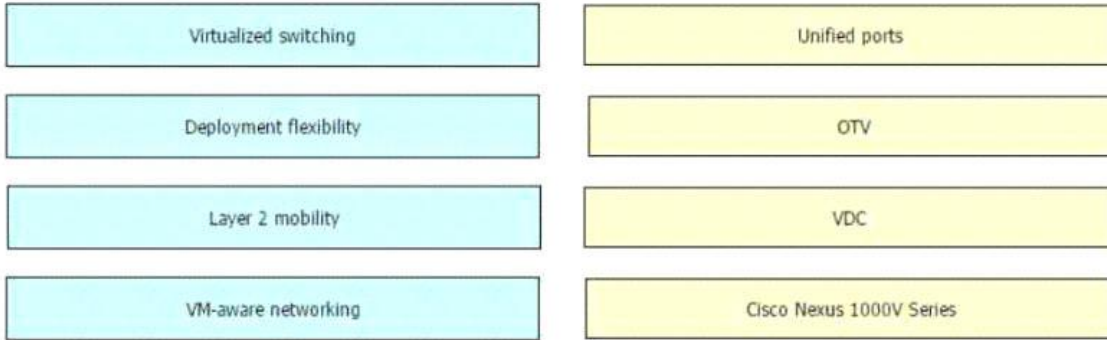
C. chassis management switch

D. chassis management console

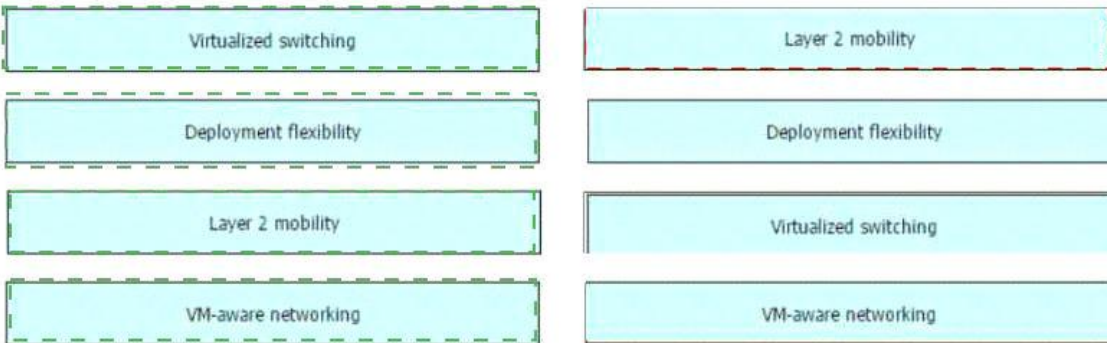
E. multiplexer

Answer: B,C,E

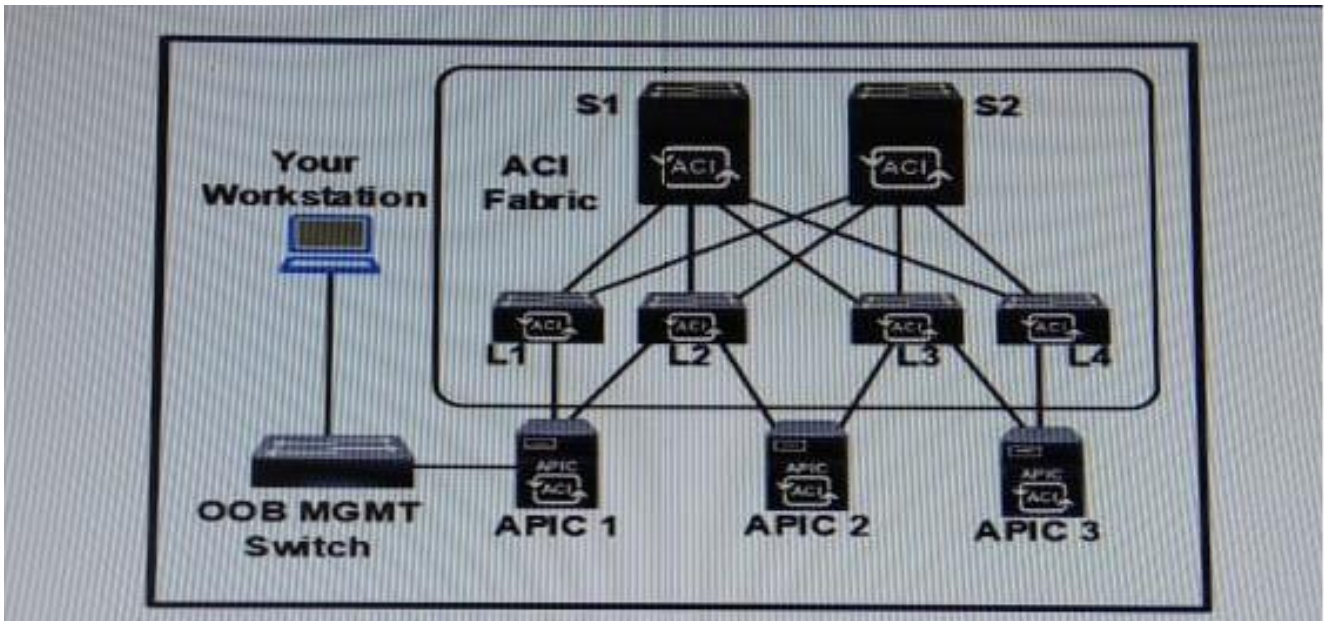
NO.21 Drag and drop the Cisco Unified Fabric feature characteristics on the left to the correct technology on the right.



Answer:



NO.22 Refer to the exhibit

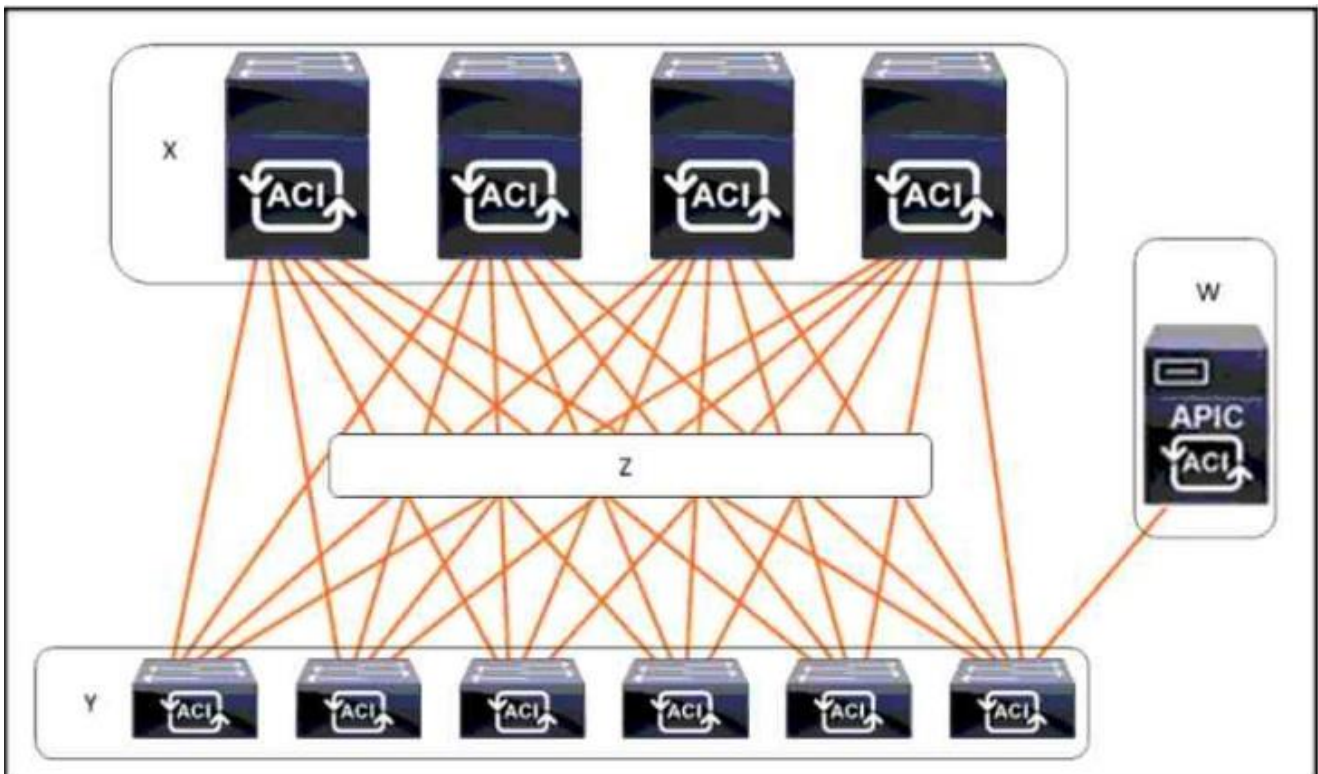


Refer to the exhibit, which device is discovered after L1 registers to APIC 1?

- A. APIC 2
- B. OOB MGMT switch
- C. L2
- D. S1

Answer: D

NO.23 Refer to the exhibit.



Which option accurately describes the infrastructure?

- A. X represents the spine nodes Y represents the leaf nodes Z is the Cisco ACI fabric W is the Cisco Application Policy Infrastructure Controller

- B.** X represents the leaf nodes Y represents the spine nodes Z is the Cisco ACI fabric W is the VMware vCenter Server
- C.** X represents the collapsed backbone nodes Y represents the access nodes Z is the Cisco Fabric Interconnect layer W is the Cisco Application Policy Infrastructure Controller
- D.** X represents the spine nodes Y represents the leaf nodes Z is the Cisco Fabric Interconnect layer W is the VMware vCenter Server

Answer: B

NO.24 What is one benefit of running Cisco FabricPath as compared to STP?

- A.** blocks redundant links
- B.** uses different control protocols for unicast forwarding and multicast forwarding
- C.** allows forwarding of frames along all available equal cost paths
- D.** teams all MAC addresses in the network unconditionally

Answer: C

NO.25 A UCS administrator has been tasked with creating a new server profile Which two pools can be used to assign Layer 2 interface information? (Choose two)

- A.** Server
- B.** Mac Address
- C.** IP address
- D.** UUID
- E.** WWN

Answer: B,E

NO.26 What are three components of a Cisco UCS blade server system? (Choose three.)

- A.** Cisco UCS Fabric Interconnect
- B.** Cisco UCS B-Series server
- C.** Cisco Nexus 5548UP Switch
- D.** Cisco UCS B-Series chassis
- E.** Cisco UCS C-Series server
- F.** Cisco UCS C-Series chassis

Answer: A,B,D

NO.27 Which option describes Cisco's virtual device context feature?

- A.** logical switches aggregated into a single physical switch
- B.** logical virtualization of a single physical switch
- C.** logical switches aggregated into multiple physical switches
- D.** multiple physical switches partitioned to a single virtual switch

Answer: B

Explanation

Cisco NX-OS introduces support for virtual device contexts (VDCs), which allows the switches to be virtualized at the device level. Each configured VDC presents itself as a unique device to connected users within the framework of that physical switch. The VDC runs as a separate logical entity within

the switch, maintaining its own unique set of running software processes, having its own configuration, and being managed by a separate administrator.

Reference:

http://www.cisco.com/c/en/us/products/collateral/switches/nexus-7000-10-slot-switch/White_Paper_Tech_Overv

NO.28 Which two components are primary elements of a tenant?

- A. switch domains
- B. fire rules
- C. access policies
- D. contracts
- E. outside networks

Answer: D,E

NO.29 A customer deployed Cisco B200 blades with service profiles. The customer experiences an outage on one of the Cisco B200 blades that will be replaced with a spare blade already in inventory. Which two steps should the customer take to replace the failed blade? (Choose two.)

- A. Create a new service profile template for the failed blade.
- B. Create a new service profile for the spare blade.
- C. Delete the service profile from the spare blade.
- D. Associate the service profile to the spare blade.
- E. Disassociate the service profile from the failed blade.

Answer: D,E

NO.30 What are three components of the Cisco ACI fabric? (Choose three.)

- A. access switch
- B. Cisco APIC
- C. core switch
- D. spine switch
- E. leaf switch
- F. Cisco DCNM

Answer: B,D,E